

Premier EX Pro

Combined Fire & Extinguishing Control Panel



The EX Pro is the latest modern designed extinguishing panel from Zeta Alarm Systems, fully complying with EN54 parts 2 & 4, and EN 12094 part 1.

Featuring a blue 4 x 20 LCD display with a list of extra features such as memory log of fire, fault and system events, adjustable flood times and countdown of extinguishing sequence.

The panel is assembled in a very modernised enclosure and construction for ease of termination.

EX-OER8 (37-099)

The EX-OER8 output expansion relay board can be mounted inside the EX Pro to provide voltage-free changeover relay contacts for reset, mode, discharged, abort and additional 1st stage, 2nd stage output and extract fan output. One unit can be used.



EX-OER3 (37-097)

The EX-OER3 is an alternative to EX-OER8, 3 voltage-free contacts are available, abort, manual and auto.



EX-RSI (37-098)

EX-RSI is a remote status indicator connected to the EX-PRO panel via RS485 output providing the following: auto/manual mode selection, manual release, first/second stage alarm, gas discharged and abort.



Features	
✓ Integral PSU (2.0 Amp)	✓ Optional 8 Way Relay
✓ 4 x 20 LCD Display	✓ Aux (Fan Output)
✓ Countdown	✓ Alarm/Fault log (100 Events)
✓ Extinguishing Delay Timer (0-60 seconds)	✓ RS485 Output
✓ Flooding Time Programming	✓ Optional 8 Way Relay Output
✓ 1.0A Bottle Output	

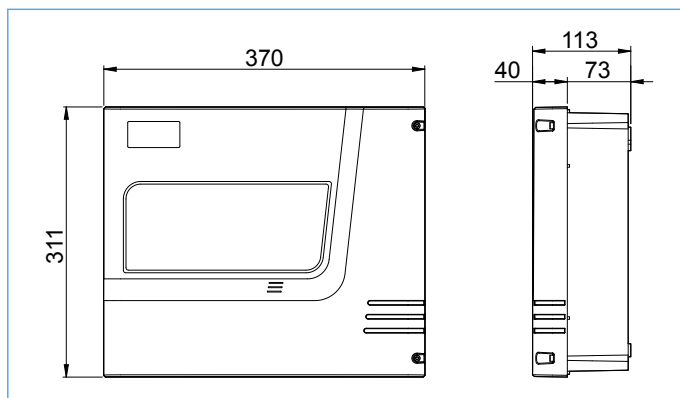
Indications	
Power	✓
Fault	✓
1st Stage Alarm	✓
2nd Stage Alarm	✓
Gas Fired	✓
Bottle Monitoring	✓
Manual Release	✓
Abort	✓
Auto Mode	✓
Manual Mode	✓
Control	
Double Action Manual Release	✓

Premier EX Pro

Combined Fire & Extinguishing Control Panel

Technical Information

Model	EX-PRO
Part Number	37-096
Supply Voltage	230 AC +/- 10%
System Voltage	24 VDC (Nominal)
Detection Zones	
Zone Voltage	
Zone Capacity	32 Devices
No. of Detection Zones	2 - EOL (4.7k)
Line Monitoring for Open & Short Circuit	Yes
Max Cable Length per Zone	250m
Zone Quiescent Current	2mA max - EOL
Sounder Outputs	
No. of Sounder Circuits	3 (S1A, S1B for 1st Stage, S2 for 2nd Stage)
Sounder Output Rating	21-28 VDC, fused at 150mA per circuit
Max Cable Length	60m
Auxilliary Outputs	
No. of Auxilliary Outputs	5 (fault, 1st stage fire, 2nd stage fire, extract fan, gas fired output)
Relay Rating	(30V - 1 Amp)
Extinguishant Release Outputs	
Bottle Output	1.0 Amp - EOL 18K
5 Monitored Inputs	Manual release, low pressure, gas fired, auto input & abort
E.O.L Value	18K
General	
Battery Space	Up to 2 x 7.0 AH, 12V DC SLA batteries
IP Rating	IP32
Operating Temperature	-10 to 50°C
Box Dimensions (mm)	(W) 370 x (H) 311 x (D) 113



Indications	
4 x 20 LCD	✓
Power	✓
Common Fire	✓
Common Fault	✓
General Disablement	✓
General Test	✓
System Fault	✓
Zonal Fire	✓
Zonal Fault/Test/Disabled	✓
Alarm Active	✓
Alarm Fault/Test/Disabled	✓
Manual Mode	✓
Auto Mode	✓
Abort	✓
Released	✓
Activated	✓
Pre-activated	✓
Manual Release	✓
Flooding Zone Fault	✓
Controls Active	✓
More Data	✓
Control	
Double Action Manual Release	✓
Auto/Manual	✓
Next	✓
Prev	✓
Start 1st Stage Sounders	✓
Stop 1st Stage Sounders	✓
Silence Buzzer	✓
Reset	✓
Reset CIE	✓
LED Test	✓